

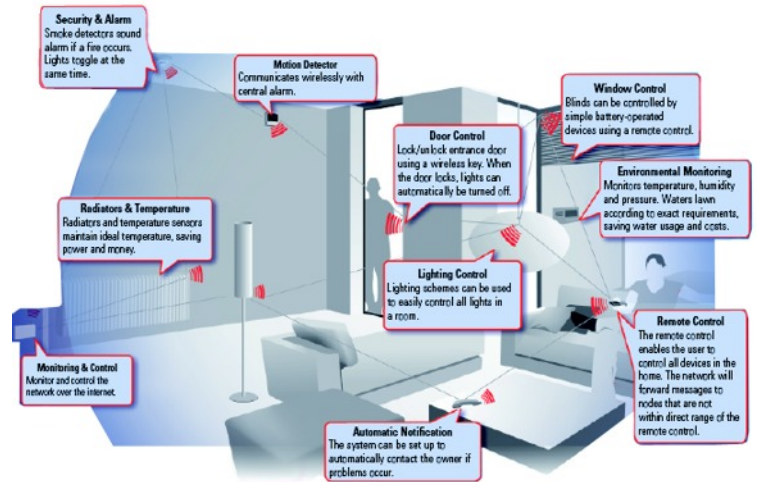


Your best partner  
for embedded  
RF design

# BIT868RM20

## BIT868RM20 Radio Modem Modules

First world's low cost, 1,8- 3,6 V operating voltage, complete RF module ready for stand alone or host driven application in a very small package (19x19 mm)



### Highly Integrated RF solution

The **BIT868RM20** series of **Radio Modem** modules are very small complete and compact RF solutions with embedded MCU.

With only **19x19 mm footprint** the modules provide a real **cost effective** wireless solution.

No additional components are needed, except for a simple antenna.

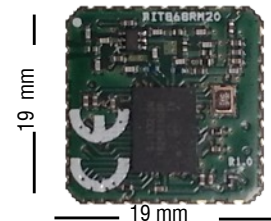
Module is SMT assembled.

All the operating parameters are fully configurable: UART baud-rate, RF data-rate, output power, operating channel, Carrier sense, packet length, etc.

BIT868RM20 are ideal solution for home and building automation, control system, sensor networks, etc.

In a typical application they can be used both with a **host microcontroller** or also as a **stand alone module** battery powered.

**Optional:** Different version of the product are available for RF applications in the 433 MHz unlicensed ISM bands.



### Easy to use, low cost dev tools

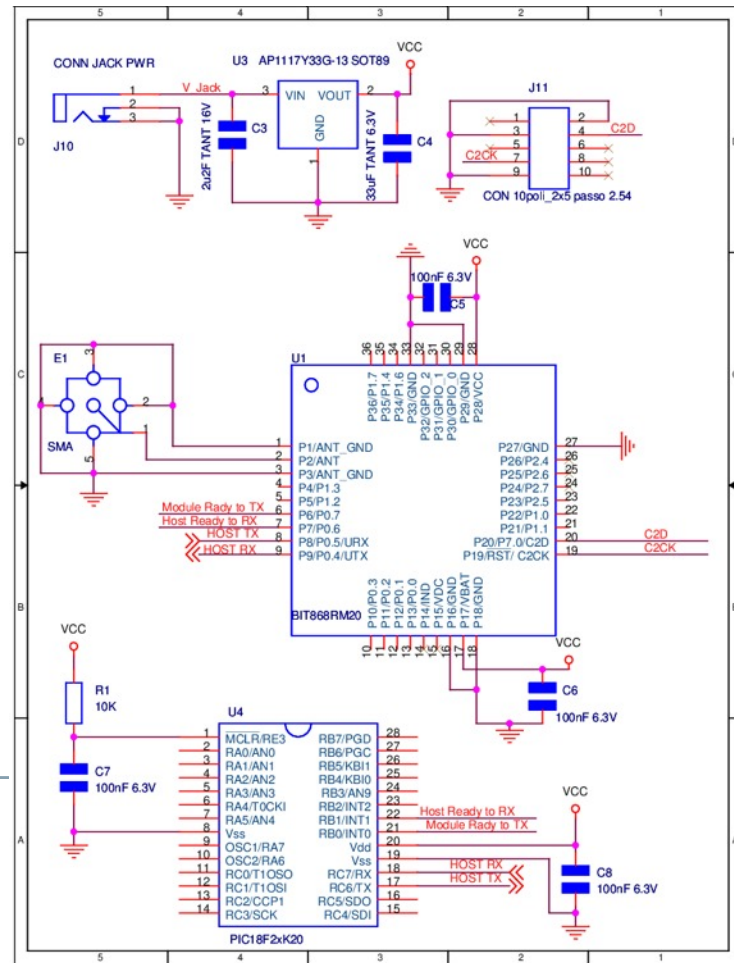
The BIT868RM20 modules are supported by a very low cost set of development tools for easy customization of the product. Integrated Development Environment and software for RF parameter calculation are free of charge; low cost in circuit debugger programmer is available for quick and **easy developing custom applications.**

Should you need any other information or customization don't hesitate to call us.

## Features

- True single module complete RF solution
- Small size (19 x 19 mm)
- High Sensitivity (-121 dbm @ 2 kbps, 1% PER)
- Programmable output power (up to 20 dBm)
- Low current consumption (RX: 19 mA, TX: 85 mA @ 20 dbm output power)
- 1.8 - 3.6 V Power Supply
- UART Baud rate up to 115,2 kbps
- RF Data Rate up to 40 kbps
- -40°C to +85°C operating temperature
- Powerfull, easy to use, low cost development tools
- Custom solutions on request

## Typical Application



## Applications

- OEM equipment
- Radio Modems
- Alarm and security systems
- Home and building automation
- Wireless sensor networks
- Telemetry Station

## Operating Conditions and Specifications

| Parameter             | Min.    | Typ.                 | Max.    | Units             | Remarks  |
|-----------------------|---------|----------------------|---------|-------------------|--|
| RF Frequency Range    | 868.105 | 869.525              | 869.525 | MHz               | BIT868RM20   |
| Operation temperature | -40     |                      | +85     | °C                |  |
| Supply voltage Vdd    | 1.8     |                      | 3.6     | V                 |  |
| Current Consumption   |         | 1<br>85<br>19        |         | uA<br>mA<br>mA    | Sleep Mode<br>Transmit mode @ max output power<br>Receive mode |
| Sensitivity           |         | -121<br>-114<br>-108 |         | dBm<br>dBm<br>dBm | @ 2 kbps<br>@ 20 kbps<br>@ 40 kbps                             |



Bit is Italian Technology S.r.l.  
Viale delle Industrie, 20 - 20020 Arese (MI)  
Tel.: (+39) 02 30465311, fax: (+39) 02 30465396  
<http://www.bit.it/> [info@bit.it](mailto:info@bit.it)

a **KEVIN SCHURTER** company  
<http://www.kevin.it/> [info@kevin.it](mailto:info@kevin.it)